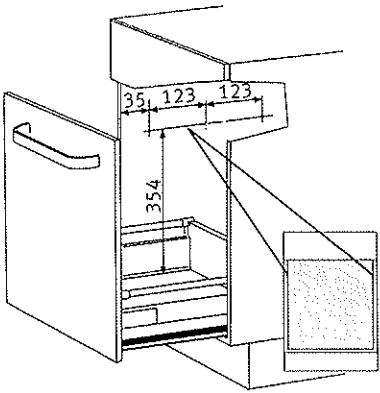
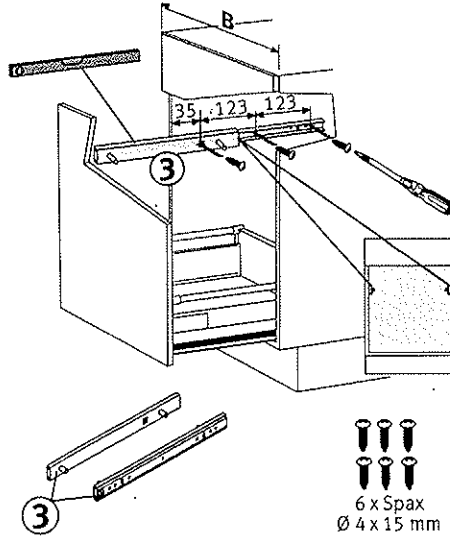


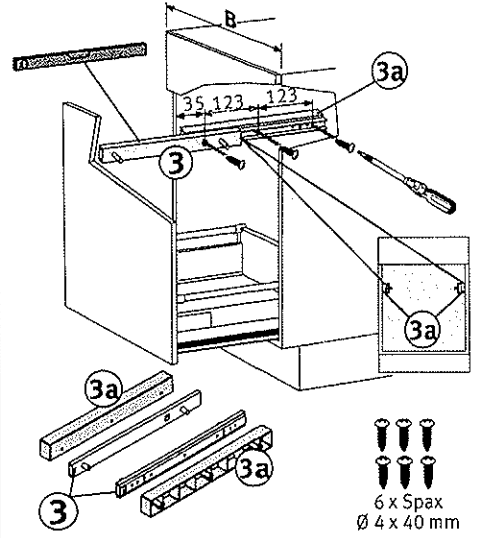
1



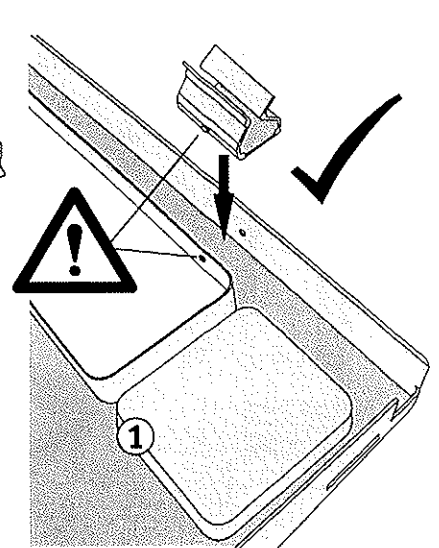
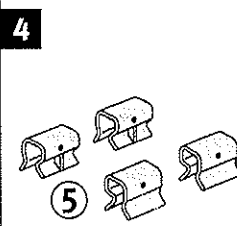
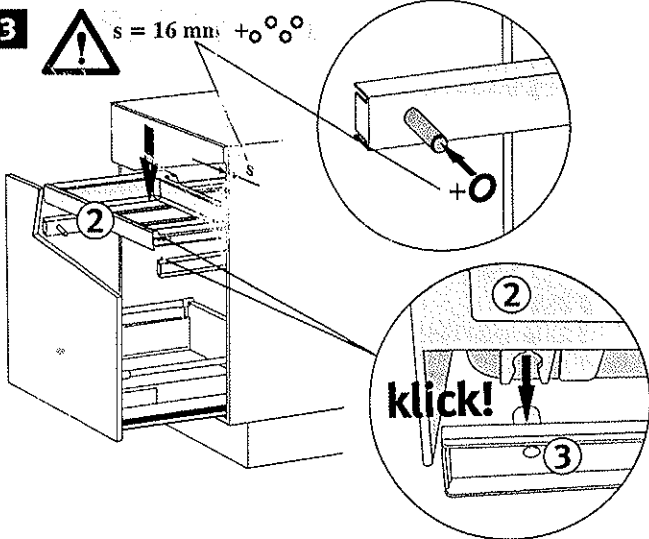
2a B = 400 / 500 / 600 mm



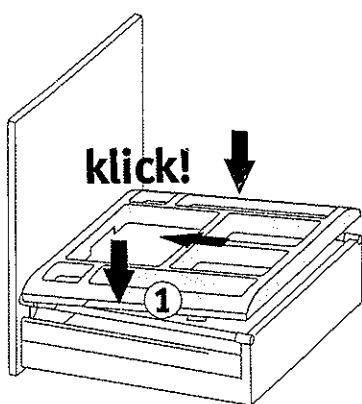
2b B = 450 mm



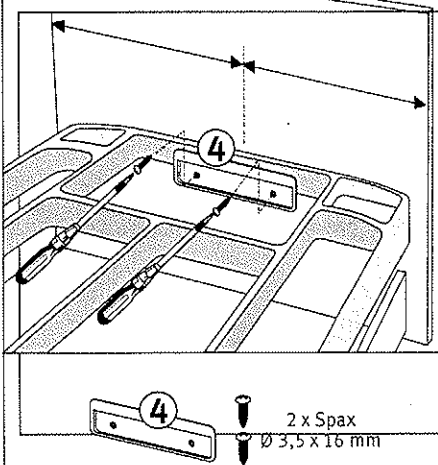
3 s = 16 mm +^oo^o



5



6



7

