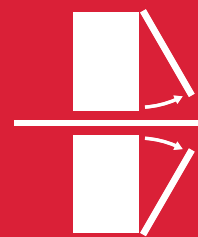


 **ITALIANA**[®]
f e r r a m e n t a

Kiaro Easy

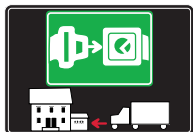


OPENING
SYSTEMS
FOR FLAP
AND DROP
DOWN
DOORS



SYMBOLS AND FINISHES LEGEND

SYMBOLS



= SHELF SAFELY LOCKED DURING TRANSPORTATION AND AT HOME.



= ANTI-TURNOVER LOCKING SYSTEM



= NORMS / PATENTS



= PHILLIPS / POZIDRIV



= WITH BUFFER



= PART NO.



= BLADE SLOT



= WITH MAGNET



= PCS. PER PACKAGE



= COMBI SLOT



= HEXAGONAL SOCKET



= NEWTON



= CAPACITY LOADING



= HEXALOBULAR SOCKET



= FRICTION



= WOOD / GLASS THICKNESS



= COUNTERSUNK HEAD



= AUTOMATIC



= HOLE DIAMETER



= PAN HEAD



= DROP DOWN



= DIAMETER



= FLANGE HEAD



= LENGTH



= FLAT HEAD



= STANDARD HINGE



= HEIGHT



= TRILOBULAR SCREW



= KIMANA HINGE



= RIGHT VERSION



= SELF-TAPPING SCREW



= FLAP HINGE



= LEFT VERSION



= EURO THREAD



= WITH SPRING



= SETTING CODE



= METRIC THREAD



= WITHOUT SPRING



= PCS. PER PAD



= PRE-INSERTED SCREW



= REVERSED SPRING



= CUT ON REQUEST



= PRE-INSERTED SCREW AND SPREADING BUSH



= SELF ADHESIVE



= WITH FLANGE

NOTE: Printing errors and omissions may exist despite our best efforts to ensure accuracy. We reserve the right to alter specifications without notice.

MATERIALS

ZA = Zinc Alloy

ST = Steel

HSS = High Speed Steel

BR = Brass

ABS = Acrylonitrile Butadiene Styrene

ZAnk = Nickel-plated Zinc Alloy

STzk = Zinc-plated Steel

AL = Aluminium

WD = Wood

EVA = Ethylene Vinyl Acetate

EP = **ENGINEERING PLASTIC**

+ **EP** = other engineering plastic available on request

SR = **SOFT RUBBER**

+ **SR** = other soft rubber available on request

EPn = Natural Engineering Plastic

EPc = Clear Engineering Plastic

SRn = Natural Soft Rubber

EPw = White Engineering Plastic

EPg = Grey Engineering Plastic

SRw = White Soft Rubber

EPwg = Water Green Engineering Plastic

SRb = Black Soft Rubber



FINISHES



= OTHER FINISHES AVAILABLE ON REQUEST

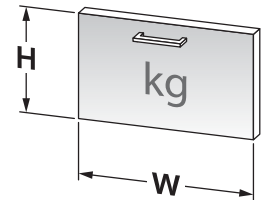
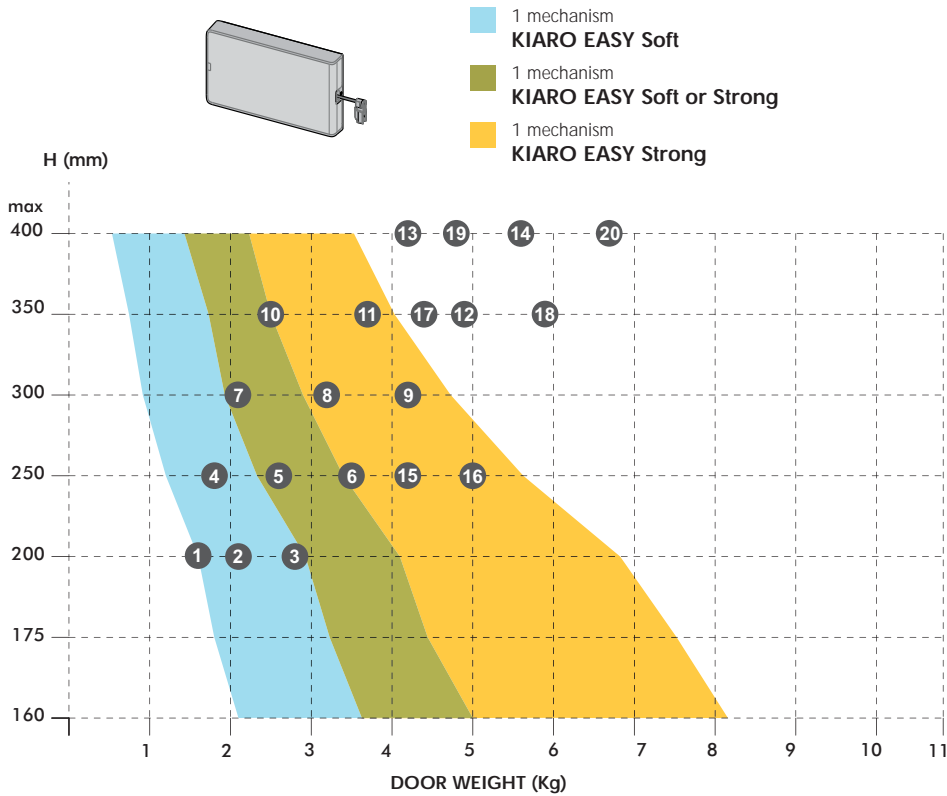
PART NO.	FINISHES	PART NO.	FINISHES	PART NO.	FINISHES
OO	Insignificant finish	IF	Middle Grey	UT	T-Met 9007
AA	Natural	IJ	Light Grey	UZ	T-Met
AB	White	IL	Grey 20	WA	Bronzed
AE	White 9010	IN	Grey met. 26	WI	Burnished
EA	Black	JB	Bright Aluminium	XD	Satin-finished Steel
EC	Matt Black	JC	Aluminium - Chrome	YA	Nickel-plated
EE	Anthracite	JD	Matt Aluminium	YB	Bright Nickel-plated
EW	Grey 9007	JE	Satin-finished Aluminium	YC	Matt Nickel-plated
FU	Gunmetal	JF	Aluminium - Brass	YD	Satin-finished Nickel-plated
FV	Gunmetal V52	JG	Aluminium 5	YQ	Black Nickel
GR	Raw	JL	Aluminium PE 11	Z9	Black Zinc
HA	Brass-Plated	JM	Aluminium RAL 9006	ZA	Zinc alloy
HH	Tropicalized	KA	Chrome	ZN	Zinc-plated
HL	Raw Brass	KB	Bright Chrome	ZQ	Bright Gold
HX	Graphite	KC	Matt Chrome	ZY	Titanium
IA	Grey	NN	Metallic Beige	ZZ	Clear
IB	Metallic Grey	RO	Red		

KIARO EASY





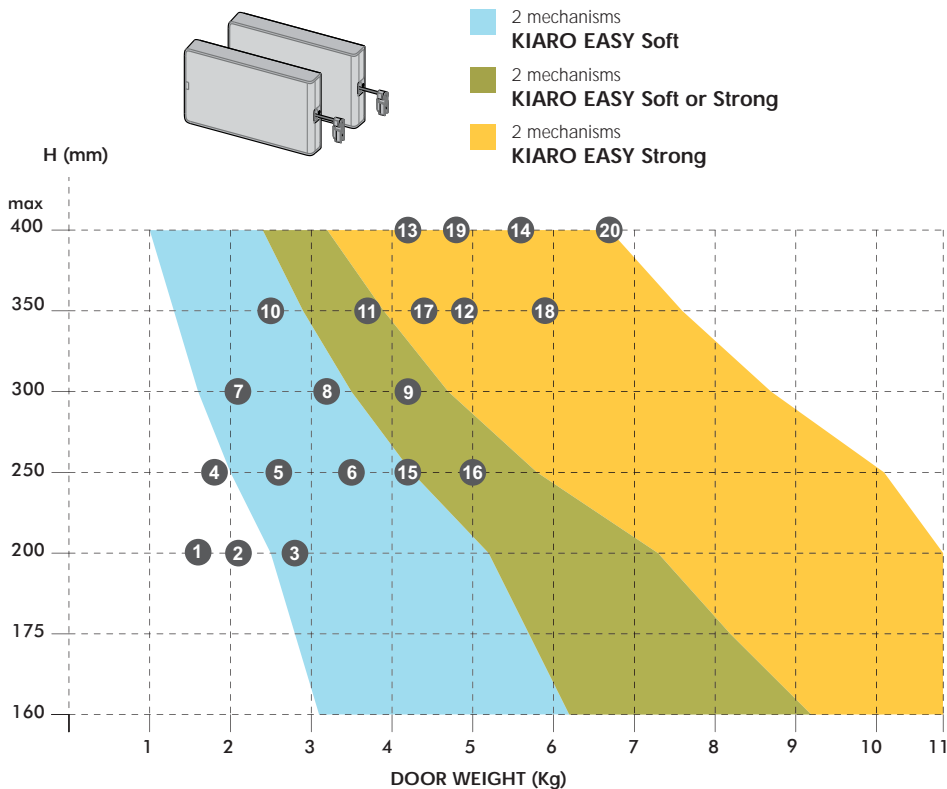
KIARO EASY SINGLE INSTALLATION



Door weight including the possible handle.

	H mm	W mm	Weight theoretical
1	200	600	1,6 kg
2	200	900	2,1 kg
3	200	1200	2,8 kg
4	250	600	1,8 kg
5	250	900	2,6 kg
6	250	1200	3,5 kg
7	300	600	2,1 kg
8	300	900	3,2 kg
9	300	1200	4,2 kg
10	350	600	2,5 kg
11	350	900	3,7 kg
12	350	1200	4,9 kg
13	400	900	4,2 kg
14	400	1200	5,6 kg
15	250	900	4,2 kg
16	250	1200	5,0 kg
17	350	900	4,4 kg
18	350	1200	5,9 kg
19	400	900	4,8 kg
20	400	1200	6,7 kg

KIARO EASY DOUBLE INSTALLATION

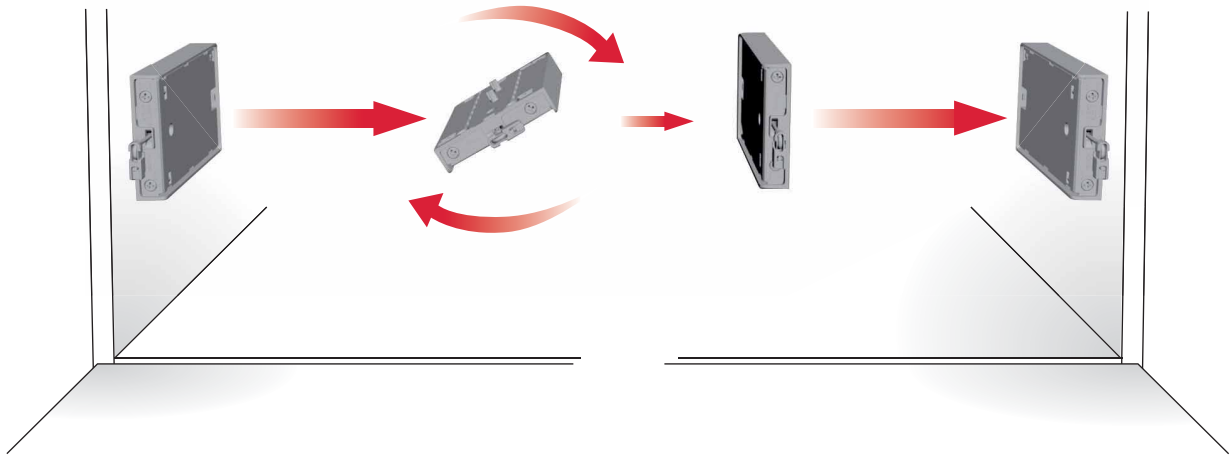


Weight considering: Chipboard 650 Kg/m³ and MDF 780 Kg/m³.

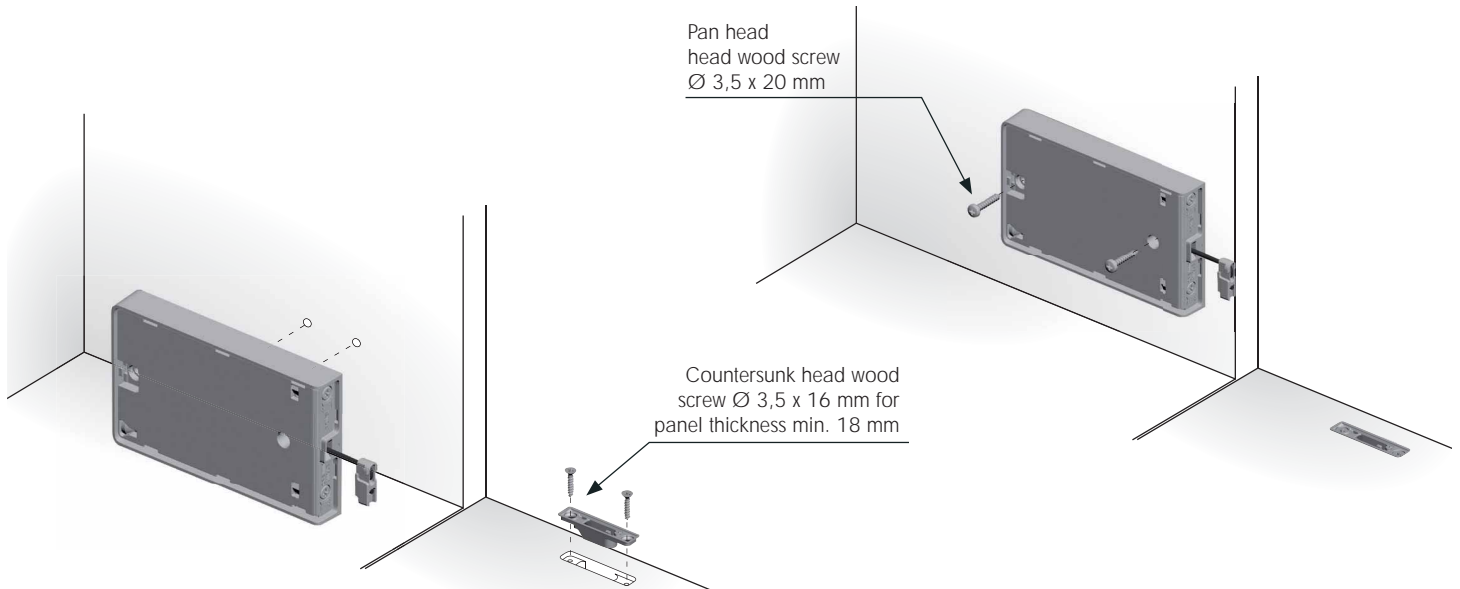
These are experimental results to be checked by the customer.

In accordance with the actual European regulation, we suggest where possible to use two KIARO EASY mechanisms for each door. Our technical department is at your disposal to analyze further cases out of this chart.

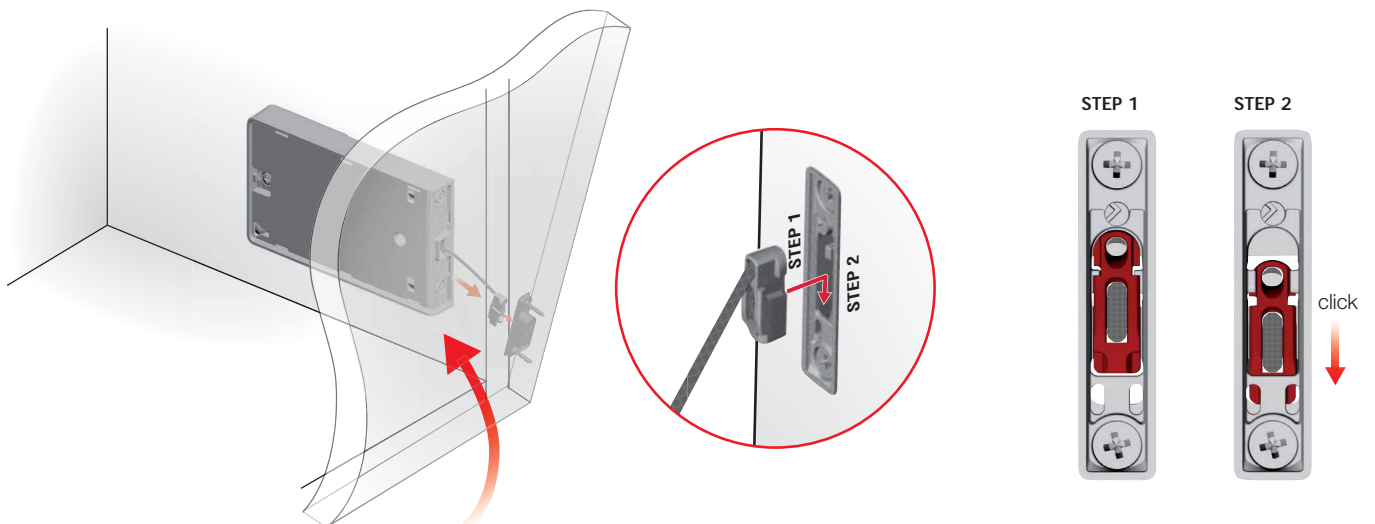
UNHANDED MECHANISM



MECHANISM AND DOOR BRACKET INSTALLATION



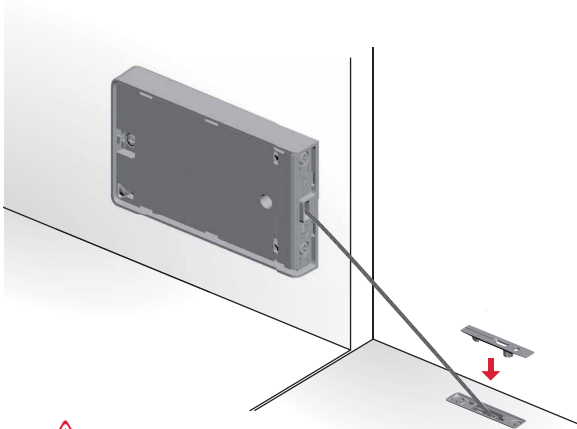
WIRE INSERTION ONTO THE DOOR BRACKET



Lift the door almost completely to slot the end element of the wire into the door bracket.

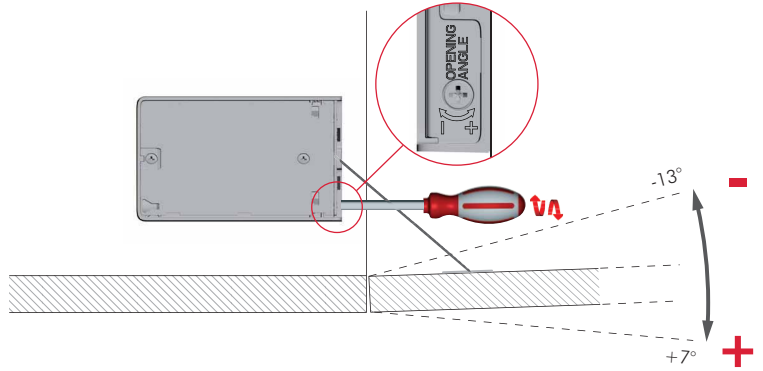


DOOR BRACKET COVER CAP INSERTION



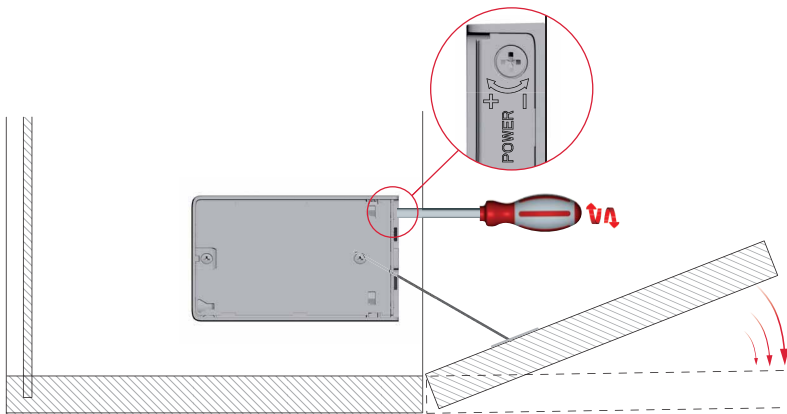
Place the cover cap on the door bracket before lifting the door.

OPENING ANGLE ADJUSTMENT



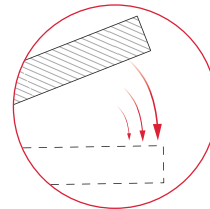
The adjustment of door opening angle must be carried out before the power adjustment.

POWER ADJUSTMENT



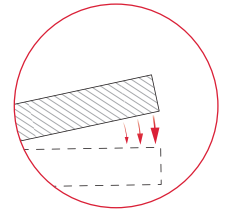
Power +

The slowing phase of door opening is anticipated.



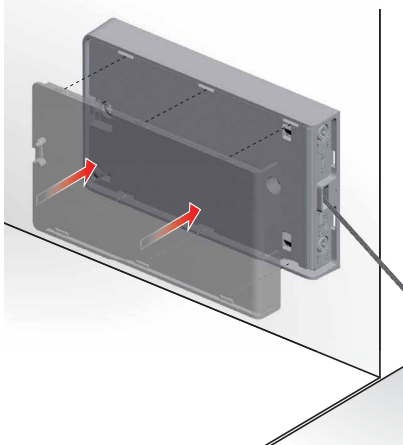
Power -

The slowing phase of door opening is delayed.

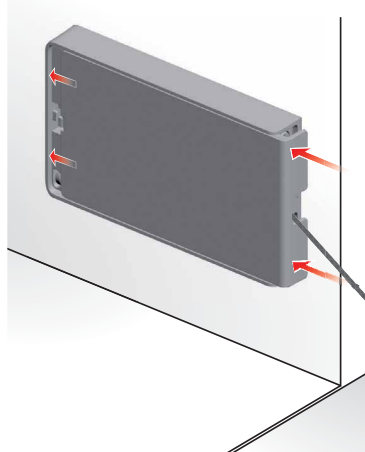


MECHANISM COVER INSERTION

STEP 1

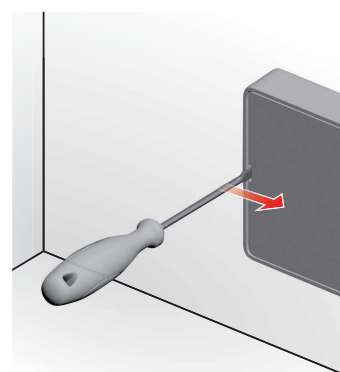


STEP 2

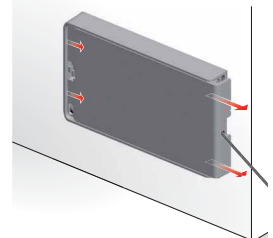


MECHANISM COVER REMOVAL

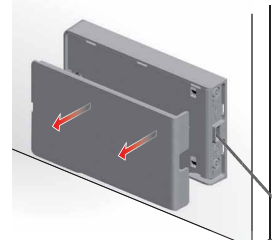
Use a blade screwdriver to unlock the cover and proceed with showed removal steps.



REMOVAL STEP 1



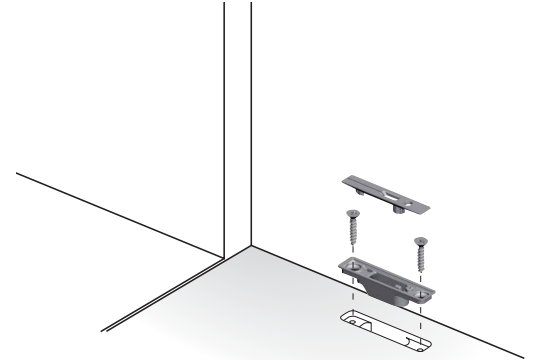
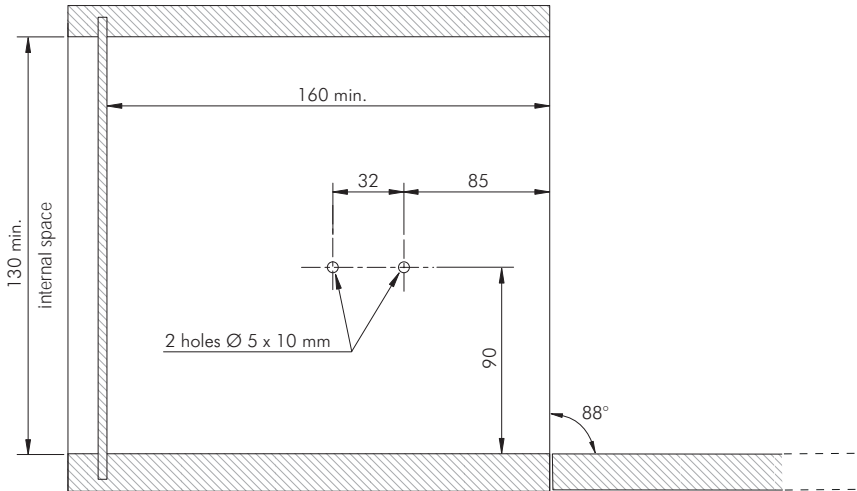
REMOVAL STEP 2



KIARO EASY WITH KIMANA HINGE

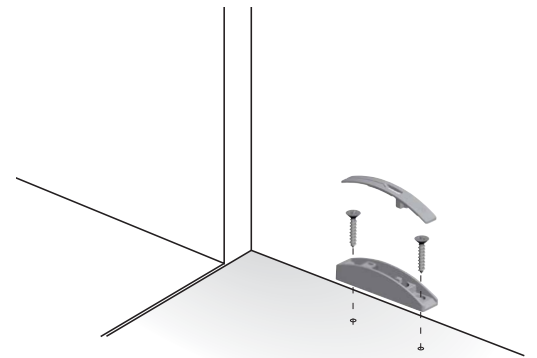
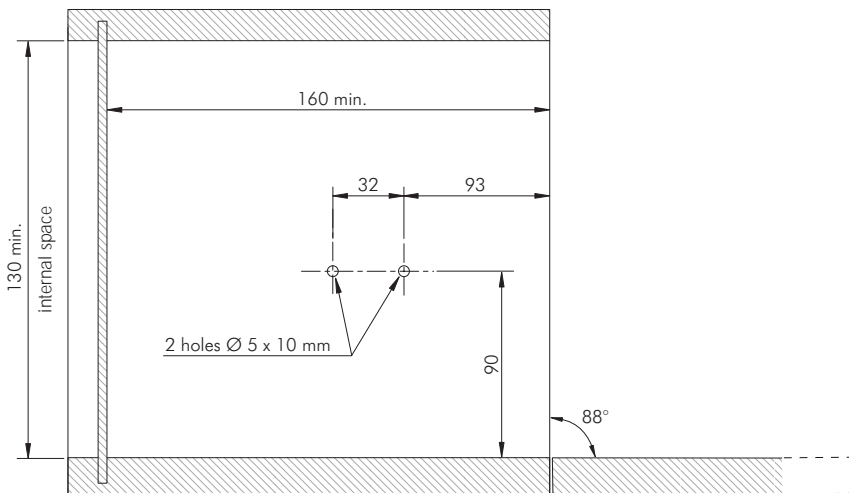


SIDE PANEL DRILLING PLAN WITH EMBEDDED DOOR BRACKET



Overcrossing 90° door opening angle, negatively affects the Kimana hinges.

SIDE PANEL DRILLING PLAN WITH SCREW FIXING DOOR BRACKET



Overcrossing 90° door opening angle, negatively affects the Kimana hinges.

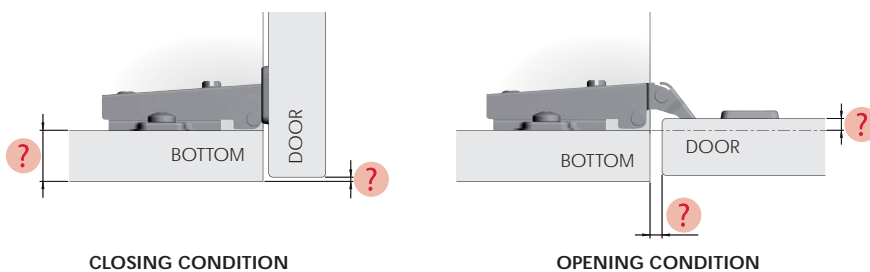


In case of door without handles it is recommended to use K Push Tech with buffer.

KIARO EASY WITH STANDARD UNSPRUNG HINGES

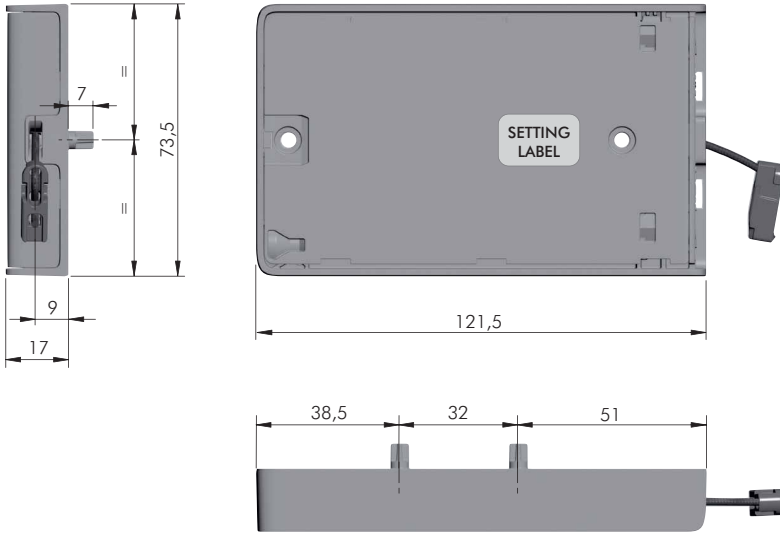


In case the hinges to be installed are not KIMANA hinges, please contact our technical department to receive the correct drilling plan. It is necessary to indicate all the values requested in the following diagram:





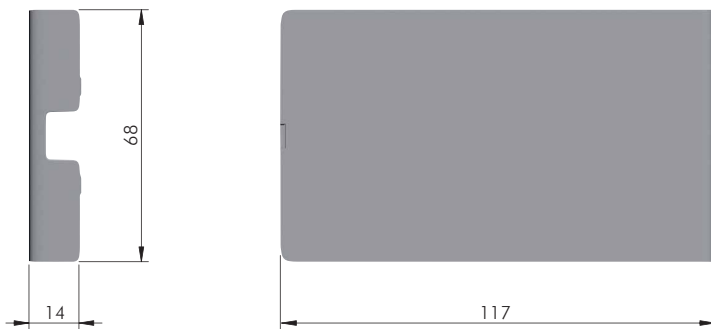
KIARO EASY MECHANISM



ZA	EP	ST	= 20 pcs.
49504000EE	EW		Soft
49506000EE	EW		Strong



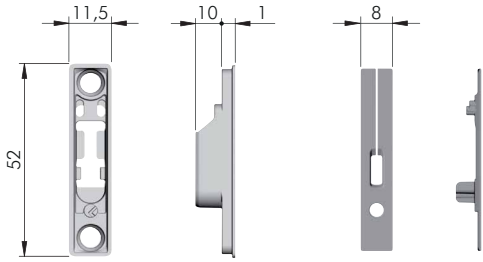
KIARO EASY COVER



EP	= 20 pcs.
49502000EE	EW



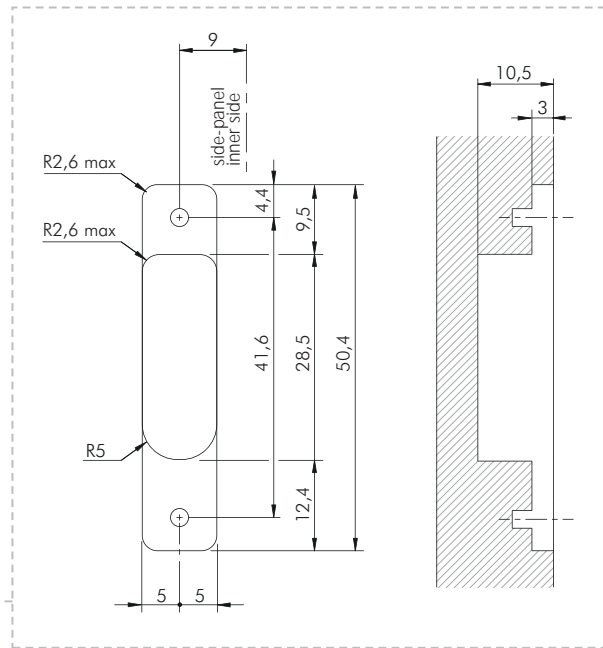
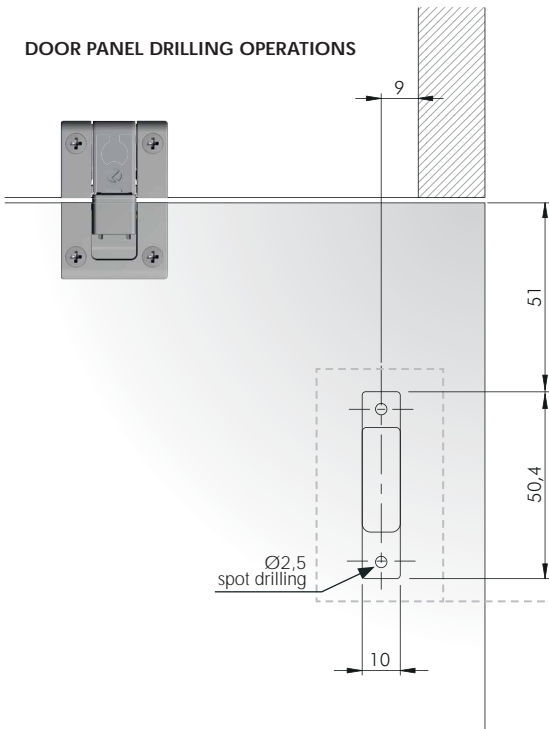
EMBEDDED DOOR BRACKET



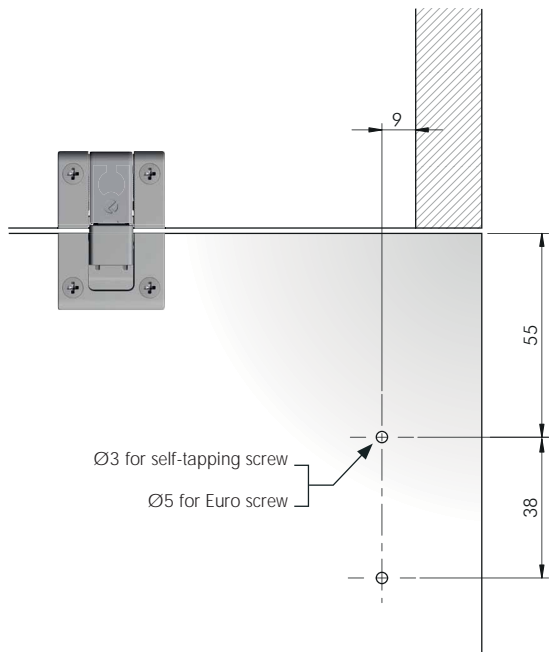
= Ø 2,5 mm
 ZA EP = 20 pcs.

123
49503000YQ | **YA**

DOOR PANEL DRILLING OPERATIONS

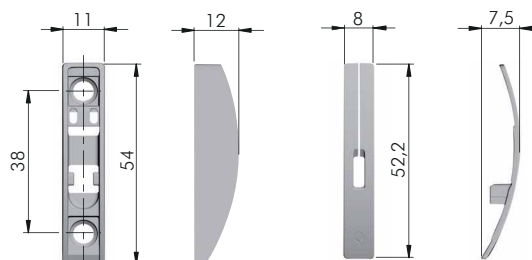


SCREW FIXING DOOR BRACKET



= Ø 3 mm, Ø 5 mm
 ZA EP = 20 pcs.

123
49503500YQ | **YA**





ACCESSORY FOR MECHANISM FIXING



= Ø 3 mm

= PZ2

ST

= 10.000 pcs.



60103160Z^N



ACCESSORY FOR DOOR BRACKET FIXING



= Ø 3 mm



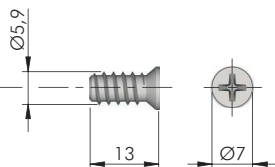
= PZ2

ST

= 10.000 pcs.



60101390Z^N



= Ø 5 mm



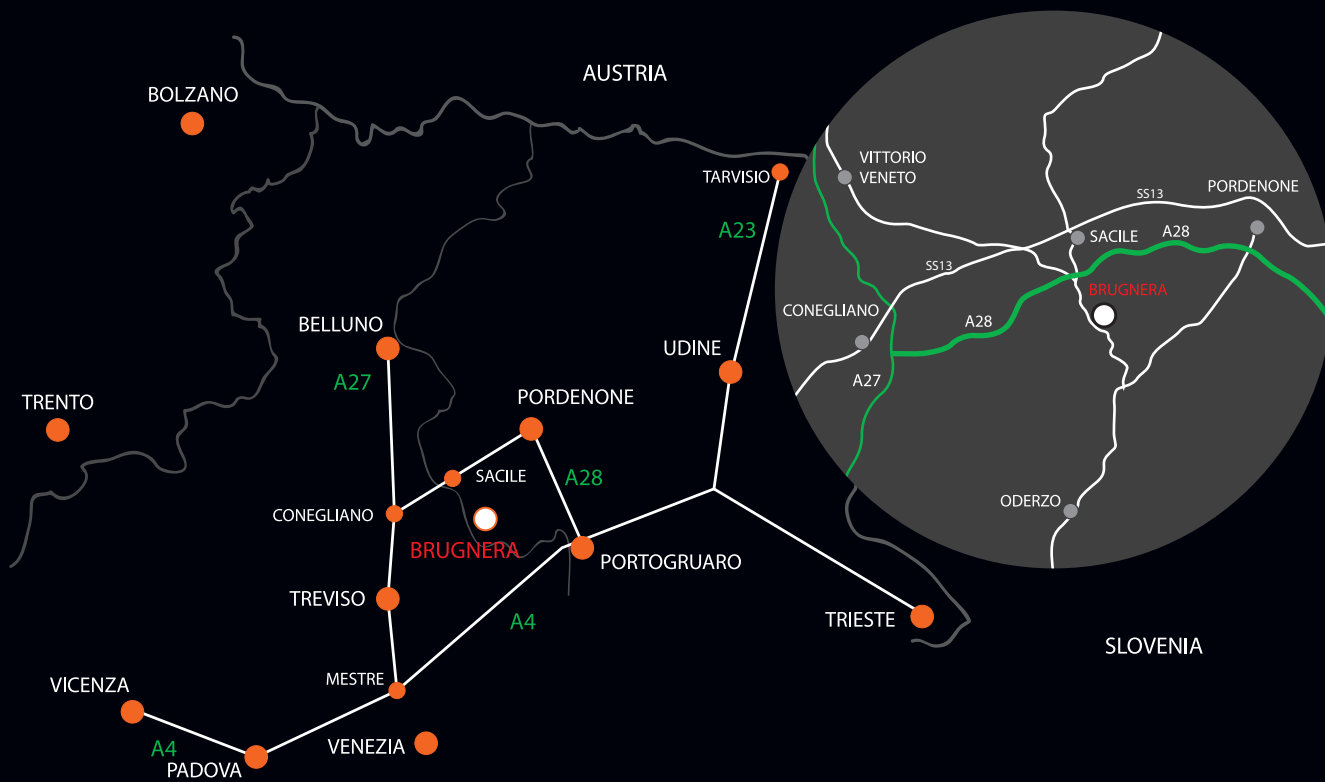
= PZ2

ST

= 5000 pcs.



60503050Z^N



www.italianaferramenta.it